



HANDLING AND STORAGE

SERVING THE FOOD INDUSTRY SINCE 1951

STAINLESS STEEL WELDED UTILITY CARTS



Item 44697 shown.

Omcan's stainless steel welded utility carts are sturdily constructed to endure tough everyday handling. Finished for easy cleaning; comes with 4" swivel casters. Great for supermarkets and various foods service operations.



WARRANTY



Authorized Dealer

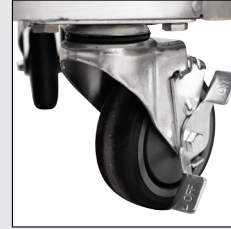
HANDLING AND STORAGE

STAINLESS STEEL WELDED UTILITY CARTS



Item 44697 shown.

PRODUCT DETAILS



FEATURES

- 18GA. 430 Stainless steel shelves
- 16GA. 430 Stainless steel angle support; stainless steel handle
- Protective bumpers on legs and handle safeguard furnishings
- 4" swivel plate casters; 2 with bumpers

	27.5" STAINLESS STEEL WELDED UTILITY CART	30.5" STAINLESS STEEL WELDED UTILITY CART	39.5" STAINLESS STEEL WELDED UTILITY CART
ITEM	44697	44698	44699
SHELF WEIGHT CAPACITY	200 lbs. / 90.7 kg.	233 lbs. / 105.7 kg.	250 lbs. / 113.4 kg.
OVER-ALL LOAD CAPACITY	400 lbs. / 181.4 kg.	500 lbs. / 226.8 kg.	600 lbs. / 272.2 kg.
SHELF DIMENSIONS	15.5" x 24" / 393.7 x 609.6 mm	18" x 27" / 457.2 x 685.8 mm	21" x 36" / 533.4 x 914.4 mm
DIMENSIONS (WDH)	27.5" x 16.25" x 30" 698.5 x 412.75 x 762 mm	30.5" x 18.75" x 30" 774.7 x 476.25 x 762 mm	39.5" x 21.75" x 34" 1003.3 x 552.45 x 863.6 mm
GROSS WEIGHT	35 lbs. / 15.9 kg.	40.5 lbs. / 18.4 kg.	53 lbs. / 24 kg.
GROSS DIMENSIONS	28" x 17" x 27" 711.2 x 431.8 x 685.8 mm	31" x 20" x 27" 787.4 x 508 x 685.8 mm	40" x 23" x 31" 1016 x 584.2 x 787.4 mm

OMCAN INC.

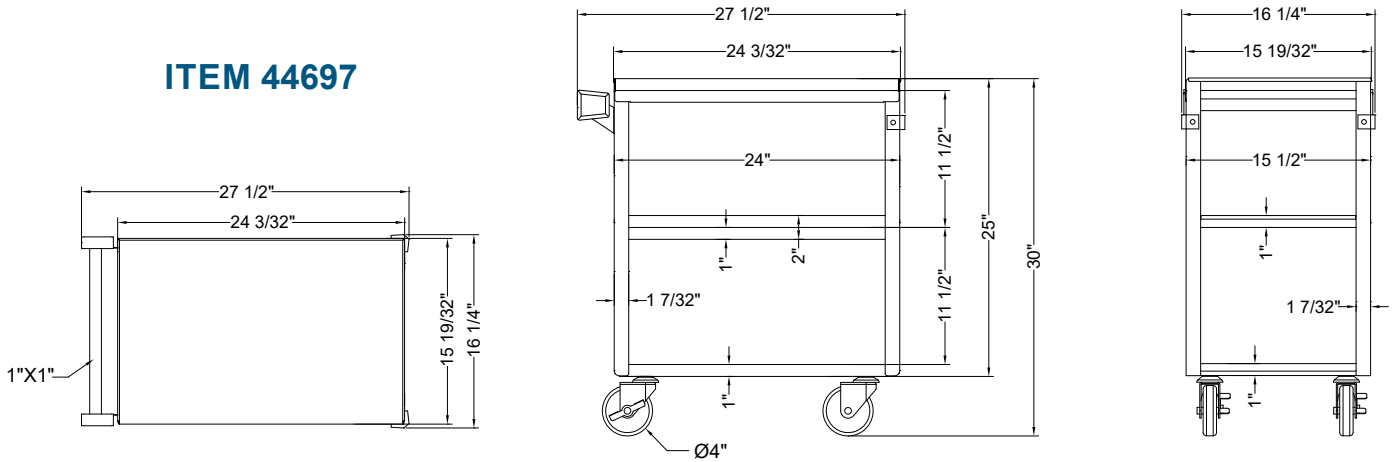
Telephone: 1-800-465-0234
 Fax: (905) 607-0234
 Email: sales@omcan.com
 Website: www.omcan.com



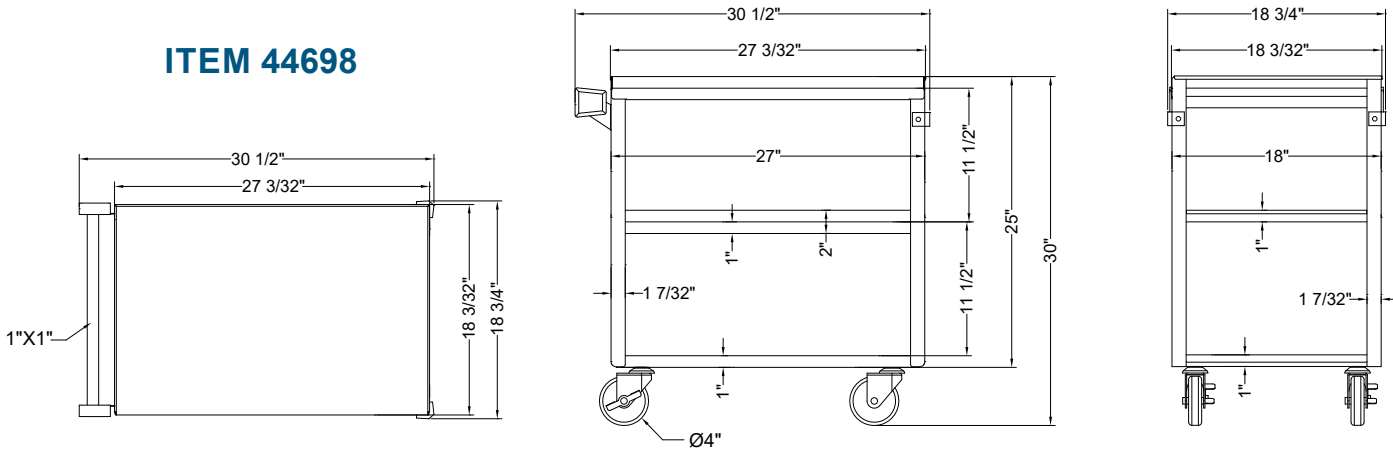
Follow us to keep up to date with the latest news and offers



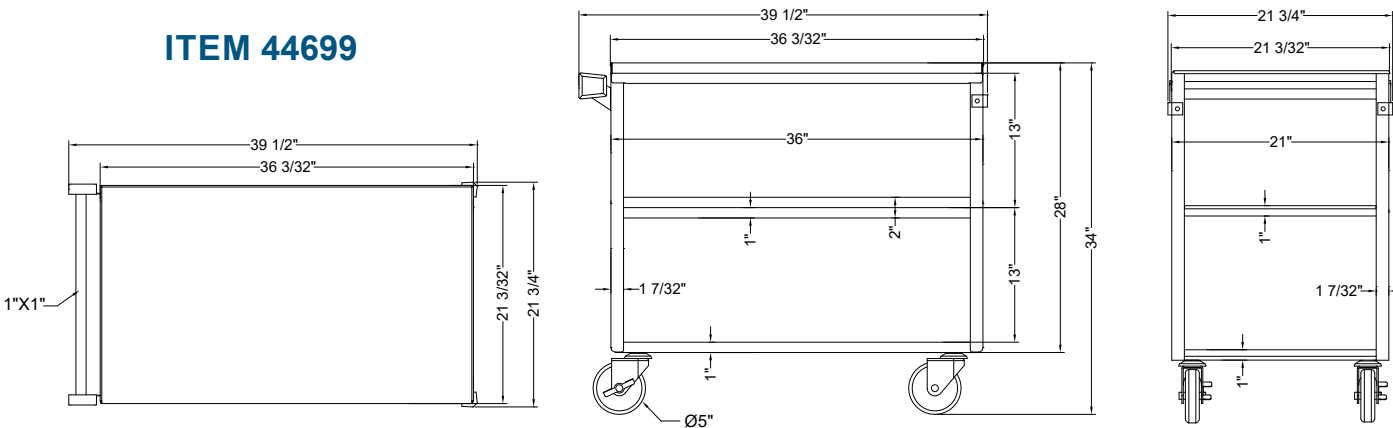
ITEM 44697



ITEM 44698



ITEM 44699



OMCAN INC.

Telephone: 1-800-465-0234
 Fax: (905) 607-0234
 Email: sales@omcan.com
 Website: www.omcan.com



Follow us to keep up to date with the latest news and offers

